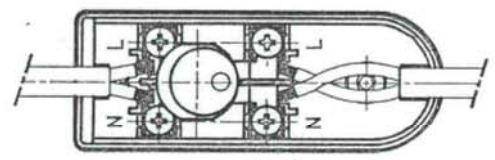
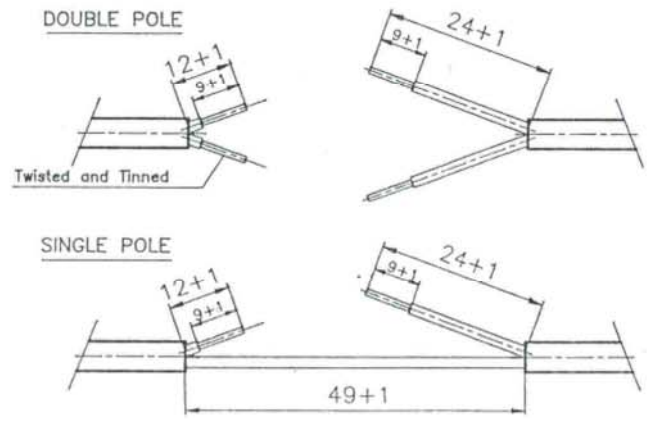


MOUNTING OF CABLE



PREPARING OF CABLE



TECHNICAL DATA

RATING : 2(0.7)A, 250V AC  
 FUNCTION : SPST, DPST  
 MECHANICAL ENDURANCE : 50 000 CYCLES ON NO LOAD  
 ELECTRICAL ENDURANCE : 20 000 CYCLES ON FULL LOAD  
 OPERATING TEMPERATURE : T85  
 INITIAL INSULATION RESISTANCE : >100 megohms  
 INITIAL CONTACT RESISTANCE : <10 milliohms  
 FINAL ELECTRICAL STRENGTH : CAN WITHSTAND 2KV FOR 1 MINUTE BETWEEN TERMINALS & BODY AND BETWEEN OPEN TERMINALS  
 CONTACT GAP : 3mm min.  
 MATERIAL : HOUSING, COVER & BUTTON - NYLON 66  
 TERMINALS: INPUT & OUTPUT - BRASS  
 ROCKER CONTACT - PHOSPHOR BRONZE  
 COLOURS : HOUSING & COVER - WHITE & BLACK  
 BUTTON - WHITE, BLACK & RED  
 CORD GRIP : SELF ALIGNING  
 TERMINALS : SCREW TERMINALS  
 FIXING OF COVER : SNAP FITTING WITH 1 SCREW  
 CABLE SIZE : 2 x 0.75<sup>2</sup> mm FLAT OR ROUND FLEXIBLE CORD  
 WEIGHT : Approx. 22 GRAMS (WITH OUT CORD)

TOLERANCES UNLESS OTHERWISE STATED				SUPERSEDES			MATERIAL	SURFACE TREATMENT
DIM.	ANGLE			SUPERSEDED BY				
ALL DIMENSIONS ARE IN MM.				1995	DATE	NAME	TITLE	
				DRN.	06-05	SATISH	CORD SWITCH	
				CHD.	08-05	Shahid	DRG. No. 2 350 1327	
				SCALE		PAGE	TEKNIC	
No.	ALTERATION	DATE	NAME	1:1		DF	CAD	